

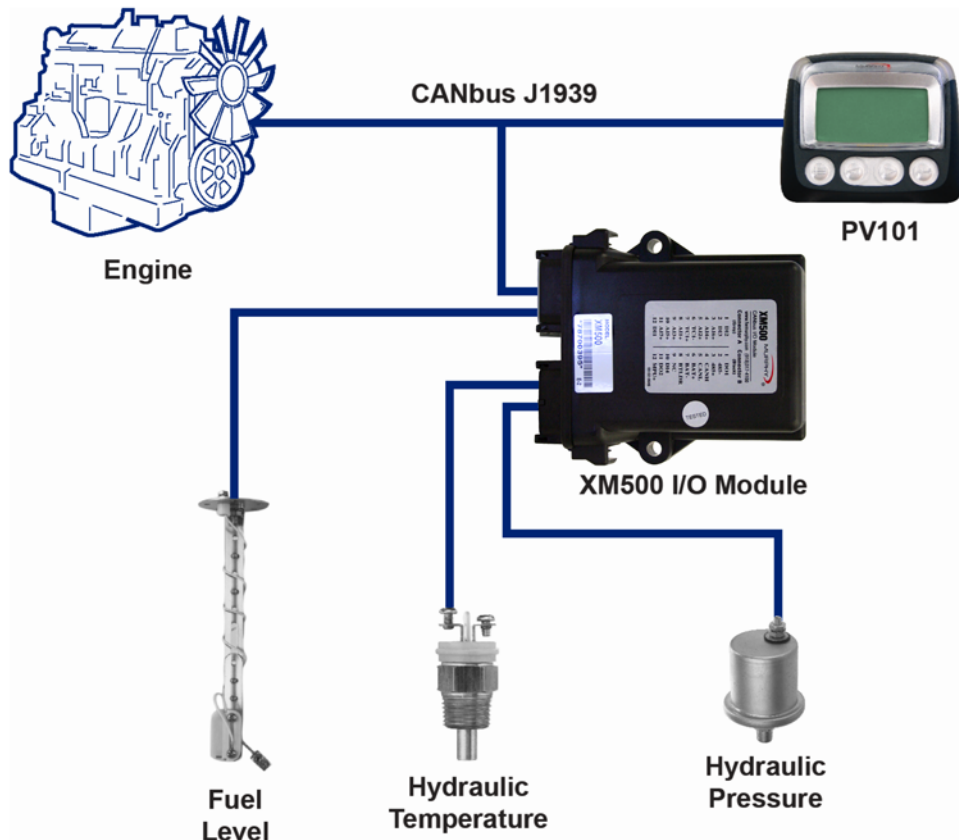
## XM500 I/O Module



### Features

- Adds I/O to J1939 Network
- Works with Standard J1939 Display Modules
- Wide Operating Temperature range
- Industry standard Deutsch enclosure and connectors
- Custom programming available

The XM500 is a configurable Input / Output (I/O) module designed to bring analog input and digital input and output information onto the SAE J1939 Controller Area Network. Your application may require monitoring additional I/O information which may not be provided by the OEM Engine or Transmission Electronic Control Unit (ECU), such as Fuel Level, Hydraulic Oil Pressure, or a Low Engine Coolant Level switch. The XM500 is ideally suited to bring the additional information you need onto the J1939 CAN bus, and can be configured to broadcast fault codes and activate digital outputs per input conditions such as Fuel Level Low, Hydraulic Oil Temperature High, etc. Because the XM500 broadcasts information using the J1939 standard protocol, the information can be displayed using standard J1939 display modules, such as the PowerView PV101.



## Specifications

**Power Input:** 8 to 32 VDC

**Operating Temperature:** -40 to 85°C (-40° to 185°F)

**Digital Inputs:** 4 – Ground or battery positive activation

**Digital Outputs:** 2 – Sinking (500 mA)

**Thermocouple Input<sup>1</sup>:** Type K

**Analog Inputs<sup>2</sup>:**

- 1 – battery supply voltage (dedicated)
- 7 – configurable as 0-5 VDC, 4-20 mA, or Murphy resistive sender<sup>3</sup>

**Speed Sensing input:** 2 to 120 VAC RMS from 30 to 10,000 Hz.

**Communication Ports:** CAN J1939

**LED Indicators:**

- PWR - Power On
- COP - Computer Operating Properly
- CAN - CANbus Active

**Product Weight:** 10 ounces

**Shipping Weight:** 12 ounces

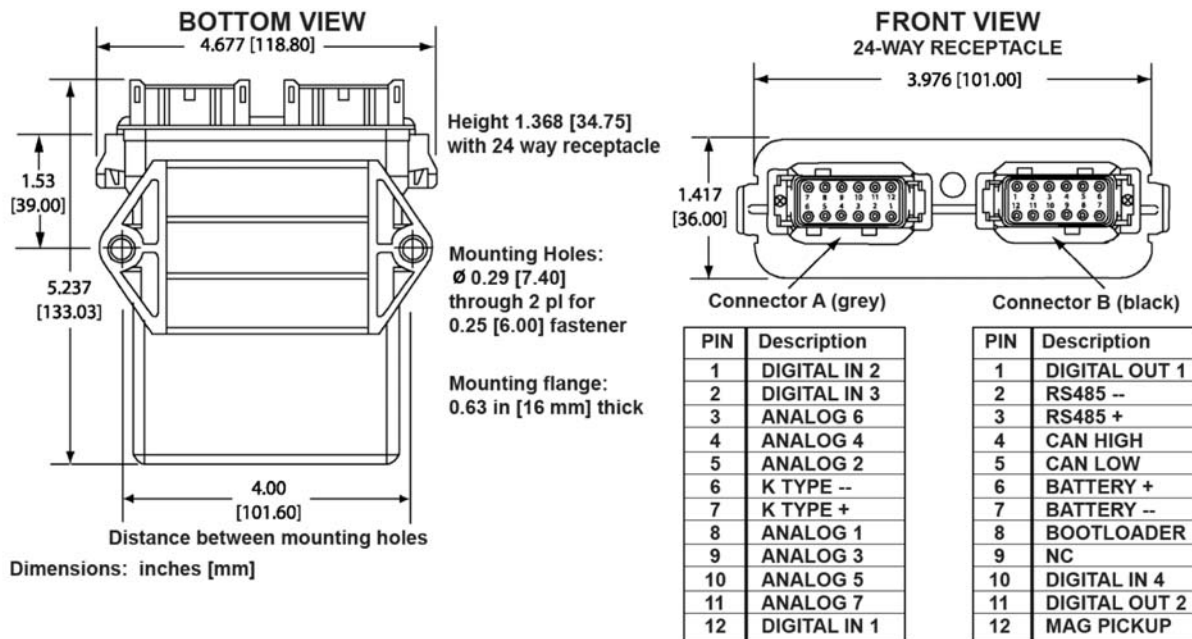
**Shipping Dimensions:** 4" x 6" x 2"

<sup>1</sup>When the thermocouple input is used, only 5 resistive, 4-20 mA, or 0-5 VDC, can be used instead of 7.

<sup>2</sup>Analog inputs can be exchanged for digital inputs (battery ground activation only), for a total of eleven digital inputs.

<sup>3</sup>Other resistive senders can be supported. Contact FW Murphy's Industrial Panel Division for programming charges.

## Dimensions



## How to Order

Model: XM500

Contact FW Murphy's Industrial Panel Division for your custom application. Minimum order quantities apply.

Phone: 918 317 4100

E-mail: [ipdsales@fwmurphy.com](mailto:ipdsales@fwmurphy.com)

### FW MURPHY

P.O. Box 470248  
Tulsa, Oklahoma 74147 USA  
Phone: +1 918 317 4100 Fax: +1 918 317 4266  
E-mail: [sales@fwmurphy.com](mailto:sales@fwmurphy.com)

### INDUSTRIAL PANEL DIVISION

Fax: +1 918 317 4124  
E-mail: [ipdsales@fwmurphy.com](mailto:ipdsales@fwmurphy.com)

### MURPHY POWER IGNITION

Web site: [www.murphy-pi.com](http://www.murphy-pi.com)

### CONTROL SYSTEMS & SERVICES DIVISION

P.O. Box 1819  
Rosenberg, Texas 77471 USA  
Phone: +1 281 633 4500 Fax: +1 281 633 4588  
E-mail: [css-solutions@fwmurphy.com](mailto:css-solutions@fwmurphy.com)

### FRANK W. MURPHY LTD.

Church Road, Laverstock  
Salisbury, SP1 1QZ, UK  
Phone: +44 1722 410055 Fax: +44 1722 410088  
E-mail: [sales@fwmurphy.co.uk](mailto:sales@fwmurphy.co.uk)  
Web site: [www.fwmurphy.co.uk](http://www.fwmurphy.co.uk)

### COMPUTRONIC CONTROLS

41 - 46 Railway Terrace  
Nechells, Birmingham, B7 5NG, UK  
Phone: +44 121 327 8500 Fax: +44 121 327 8501  
E-mail: [sales@computroniccontrols.com](mailto:sales@computroniccontrols.com)  
Web site: [www.computroniccontrols.com](http://www.computroniccontrols.com)

[www.fwmurphy.com](http://www.fwmurphy.com)

### FW MURPHY INSTRUMENTS (HANGZHOU) CO., LTD.

77 23rd Street  
Hangzhou Economic & Technological Development Area  
Hangzhou, Zhejiang, 310018, China  
Phone: +86 571 8788 6060 Fax: +86 571 8684 8878  
E-mail: [apeales@fwmurphy.com](mailto:apeales@fwmurphy.com)



USA-ISO 9001:2000 FM 28221  
UK-ISO 9001:2000 FM 29422  
Registered Facilities



Printed in U. S. A.