



RUGGED, RELIABLE, ROBUST MID-RANGE, FULL COLOR DISPLAY

THE POWERVIEW™ 450

Rich Feature Set.

Fully Customizable.

Compact Size.

Compact size to fit your application

Bonded LCD for optimum viewability

Streamlined modular design

Easy-to-use configuration software

Data logging

Customizable bezel, buttons, I/O interface and more



The PowerView 450 display is the smaller, sleeker version of the PowerView 750 full color display.

The PV450 display has been redesigned for tighter spaces. With a smaller screen and streamlined design using fewer components, it delivers the same performance as the PV750 in a compact package.

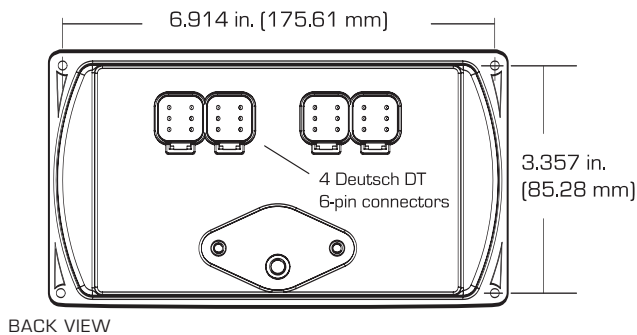
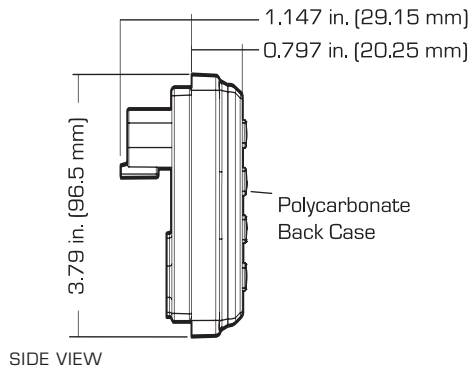
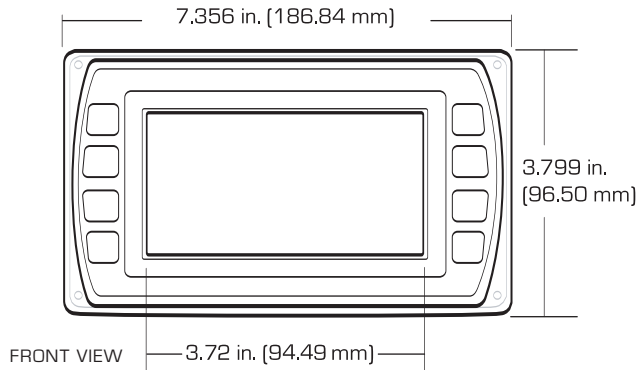
The PV450 display is designed for small-to-medium machines. In addition, the PV450 display meets the requirements for Tier 4 and Stage IIIB/IV emissions monitoring from the factory.



PowerVision Configuration Studio™ software.

THE POWERVIEW™ 450

STANDARD DIMENSIONS



TECHNICAL SPECS

- Display: Bonded 4.3"/109mm color transmissive TFT LCD
- Resolution: WQVGA, 480 x 272 pixels, 16-bit color
- Aspect Ratio: 16:9
- Orientation: Landscape or portrait
- Backlighting: LED, 500-650 cd/m² (30,000 hr lifetime)
- Microprocessor: Freescale iMX35, 32bit, 532MHz
- QNX Real-Time Operating System
- Flash Memory: 256 MB (expandable to 8GB)
- RAM: 128MB DDR2 SDRAM
- Operating Voltage: 6-32 VDC, protected against reverse polarity and load-dump
- Power Consumption: 10W max
- CAN: Two CAN 2.0B; optional NMEA 2000 isolation
- RS 485: 1 MODBUS Master/Slave port
- Optional video input: Two NTSC/PAL input channels with one displayed at a time
- Protocols: J1939, NMEA 2000, CANopen, Freeform CAN
- Connection: 4 Deutsch DT 6-pin connectors
- Keyboard: 8 tactile buttons
- USB 2.0 host (full speed)
- Output: 1 open-drain, capable of sourcing 500mA
- Input: 1 Resistive, 0-5V, or 4-20mA (software configurable)
- Real-Time clock with battery backup

ENVIRONMENTAL SPECS

- Operating Temperature: -40° C to +85° C
- Storage Temperature: -40° C to +85° C
- Protection: IP 66 and 67, front and back
- Emissions and Immunity:
 - Electromagnetic Compatibility: 2004/108/EC
 - EN 61000-6-4
 - EN 61000-6-2 (immunity)
 - EN 501121-3-2
 - EN 12895
 - J1113/2, 4, 11, 12, 21, 24, 26 and 41
- Vibration: Random vibration, 7.86 Grms (5-2000 Hz), 3 axis
- Shock: ± 50G in 3 axis

ADDITIONAL OPTIONS

- LCD Touchscreen (projected) capability

FW MURPHY

P.O. Box 470248
Tulsa, Oklahoma 74147 USA
+1 918 317 4100 Fax: +1 918 317 4266
E-mail: sales@fwmurphy.com

INDUSTRIAL PANEL DIVISION

Fax: +1 918 317 4124
E-mail: ipdsales@fwmurphy.com

MURPHY POWER IGNITION

Web site: www.murphy-pi.com

CONTROL SYSTEMS & SERVICES DIVISION

P.O. Box 1819
Rosenberg, Texas 77471 USA
Phone: +1 281 633 4500 Fax: +1 281 633 4588
E-mail: css-solutions@fwmurphy.com

FRANK W. MURPHY, LTD

Church Rd Laverstock
Salisbury SP1 1QZ UK
Phone: +44 1722 410055 Fax: +44 1722 410088
E-mail: sales@fwmurphy.co.uk
Web site: www.fwmurphy.co.uk

FW MURPHY INSTRUMENTS (HANGZHOU) CO. LTD

77 23rd Street
Hangzhou Economic & Technological Development Area
Hangzhou, Zhejiang 310018 China
Phone: +86 571 8788 6060 Fax: +86 571 8684 8878
E-mail: apsales@fwmurphy.com



USA-ISO 9001:2008 FM 28221
UK-ISO 9001:2008 FM 29422
CHINA-ISO 9001:2008 FM 52385
Registered Facilities

COMPUTRONIC CONTROLS, LTD

41 - 43 Railway Terrace Nechells
Birmingham B7 5NG UK
www.computroniccontrols.com



MURPHY®

www.fwmurphy.com

Printed in the USA

100023 Revised 6/2011