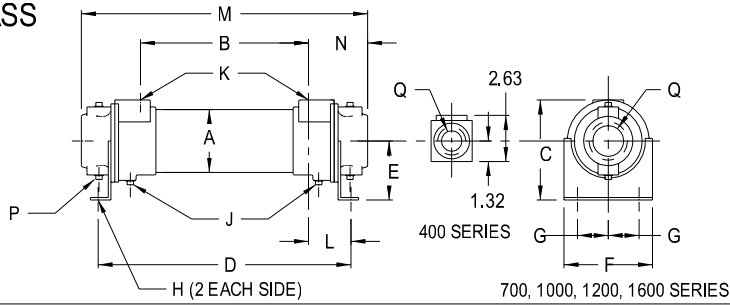


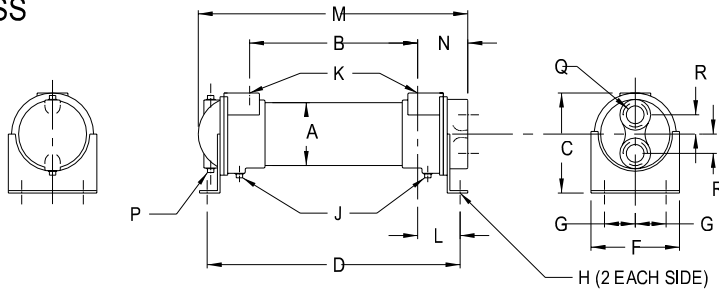
## --CAB SERIES-- DIMENSIONS

### SINGLE PASS



SINGLE PASS				
MODEL	M	N	P NPTF.	Q NPTF.
CAB-401	11.24	1.81	—	1.00
CAB-402	20.24			
CAB-701	13.47		(4)	
CAB-702	22.47	3.24	0.38	1.50
CAB-703	31.47			
CAB-1002	23.60			
CAB-1003	32.60	4.05	(4)	2.00
CAB-1004	41.60		0.38	
CAB-1005	50.60			
CAB-1202	24.38			
CAB-1203	33.25			
CAB-1204	42.12			
CAB-1205	51.12	4.88	(4)	3.00
CAB-1206	60.25		0.50	
CAB-1207	69.25			
CAB-1208	78.12			
CAB-1602	26.62			
CAB-1603	35.62			
CAB-1604	44.62			
CAB-1605	53.62	6.13	(4)	4.00
CAB-1606	62.62		0.50	
CAB-1607	71.62			
CAB-1608	80.62			
CAB-1609	89.62			
CAB-1610	98.62			

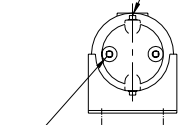
### TWO PASS



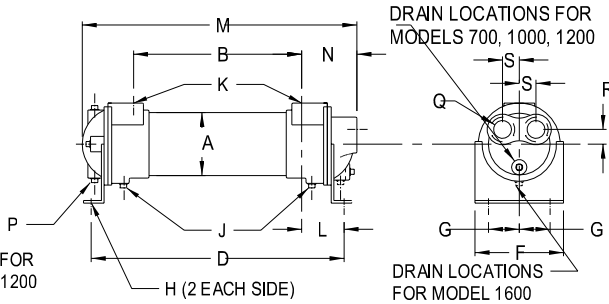
TWO PASS					
MODEL	M	N	P NPTF.	Q NPTF.	R
CAB-401	—	—	—	—	—
CAB-402	—	—	—	—	—
CAB-701	13.28		(2)		
CAB-702	22.28	3.30	0.38	1.00	0.88
CAB-703	31.28				
CAB-1002	23.29				
CAB-1003	32.29	3.80	(2)	1.50	1.19
CAB-1004	41.29		0.38		
CAB-1005	50.29				
CAB-1202	23.94				
CAB-1203	32.81				
CAB-1204	41.69				
CAB-1205	50.69	4.56	(2)	2.00	1.44
CAB-1206	59.81		0.50		
CAB-1207	68.81				
CAB-1208	77.69				
CAB-1602	25.10				
CAB-1603	34.10				
CAB-1604	43.10				
CAB-1605	52.10	6.38	(2)	2.50	1.88
CAB-1606	61.10		0.50		
CAB-1607	70.10				
CAB-1608	79.10				
CAB-1609	88.10				
CAB-1610	97.10				

### FOUR PASS

DRAIN LOCATIONS FOR MODEL 1600



DRAIN LOCATIONS FOR MODELS 700, 1000, 1200



FOUR PASS						
MODEL	M	N	P NPTF.	Q NPTF.	R	S
CAB-401	—	—	—	—	—	—
CAB-402	—	—	—	—	—	—
CAB-701	13.42		(3)			
CAB-702	22.42	3.24	0.38	0.75	0.62	0.88
CAB-703	31.42					
CAB-1002	23.55					
CAB-1003	32.55	4.06	(3)	1.00	0.75	1.34
CAB-1004	41.55		0.38			
CAB-1005	50.55					
CAB-1202	24.44					
CAB-1203	33.31					
CAB-1204	42.19		(2)			
CAB-1205	51.19	4.90	0.38	1.50	1.12	1.40
CAB-1206	60.31		(1)			
CAB-1207	69.31		0.50			
CAB-1208	78.19					
CAB-1602	26.66					
CAB-1603	35.66					
CAB-1604	44.66					
CAB-1605	53.66	6.38	(3)	2.00	1.38	1.88
CAB-1606	62.66		0.50			
CAB-1607	71.66					
CAB-1608	80.66					
CAB-1609	89.66					
CAB-1610	98.66					

COMMON DIMENSIONS												
MODEL	A	B	C	D	E	F	G	H	L	J NPTF.	K NPTF.	WEIGHT (LBS.)
CAB-401	2.125	7.62	3.50	11.06	1.94	2.62	0.88	0.41 Dia.	1.72	—	0.50	7
CAB-402		16.62		20.06								10
CAB-701		7.00		12.38						(2)		17
CAB-702	3.656	16.00	6.25	21.38	3.62	5.25	1.50	0.44x1.00	2.89	0.38	1.00	25
CAB-703		25.00		30.38								30
CAB-1002		15.50		21.62								40
CAB-1003		24.50		30.62						(6)		50
CAB-1004	5.125	33.50	7.38	39.62	4.00	6.75	2.00	0.44x1.00	3.06	0.38	1.50	60
CAB-1005		42.50		48.62								70
CAB-1202		14.62		21.50								55
CAB-1203		23.50		30.38								70
CAB-1204		32.38		39.25								90
CAB-1205	6.125	41.38	8.81	48.25	4.75	7.50	2.50	0.44x1.00	3.44	(6)	2.00	110
CAB-1206		50.50		57.38						0.38		130
CAB-1207		59.50		66.38								150
CAB-1208		68.38		75.25								170
CAB-1602		13.60		22.38								105
CAB-1603		22.60		31.38								140
CAB-1604		31.60		40.38								205
CAB-1605		40.60		49.38						(6)		245
CAB-1606	8.000	49.60	12.10	58.38	6.50	8.62	3.50	0.44x1.00	4.39	0.38	3.00	259
CAB-1607		58.60		67.38								270
CAB-1608		67.60		76.38								290
CAB-1609		76.60		85.38								315
CAB-1610		85.60		94.38								335

All dimensions in inches. Zinc anodes optional.

NOTE: We reserve the right to make reasonable design changes without notice.

09/10/2001