

# Williams Controls Electronic Suspended Pedal

## WM-554

The Electronic Floor Pedal WM-554 designed for commercial and industrial vehicle applications.

The unit is equipped with a Hall Effect non-contact sensor that can be programmed for analog output. The electronics are IP67 sealed and highly EMI resistant (SAE J1113).

The Electronic Suspended Pedal WM-554 is available with a nominal 19.5 degree angular rotation. The Throttle Control has a engineered plastic body and lever arm. The mounting bracket is made out of coated steel.

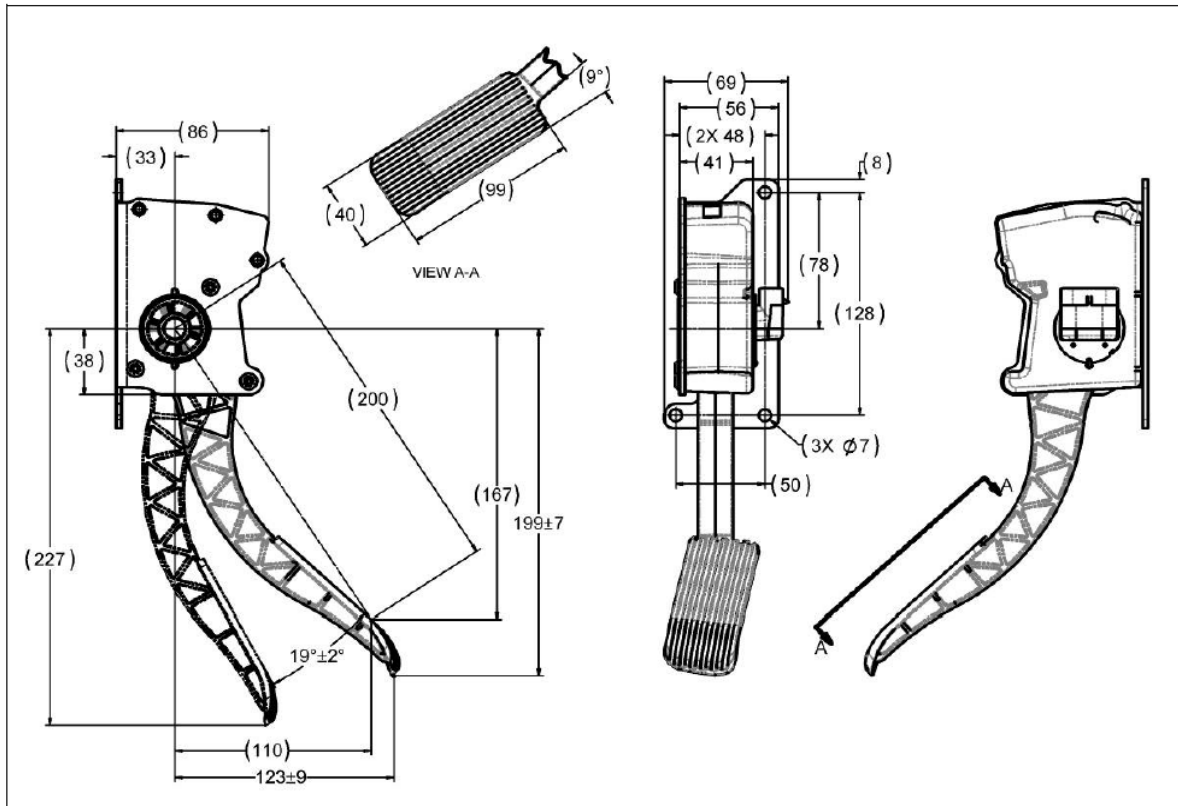
Both lever arm and bracket can be customized to optimize driver ergonomics.



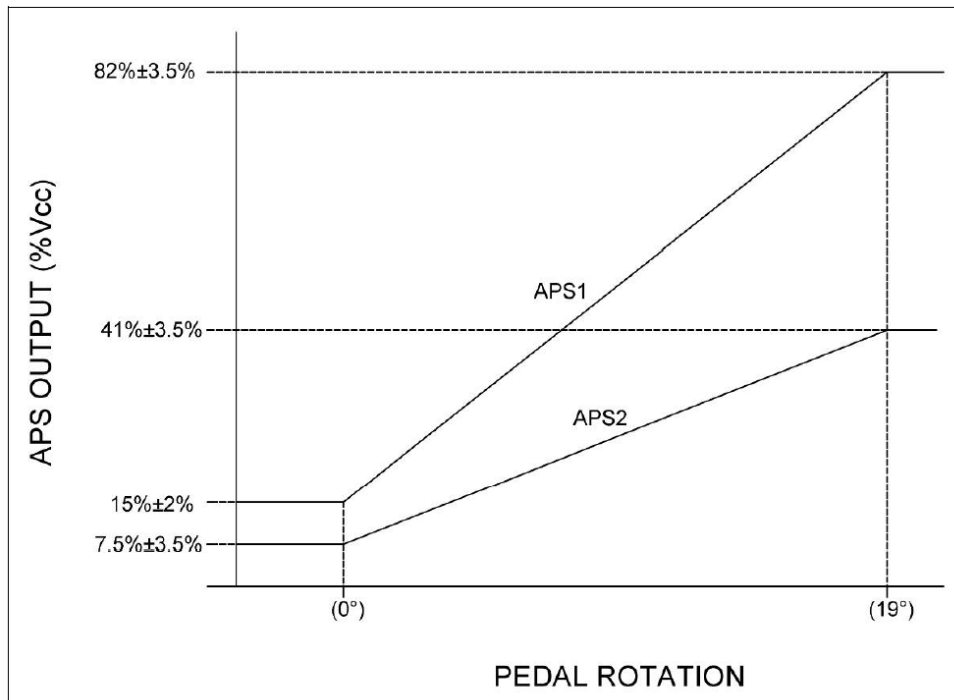
### SPECIFICATIONS

<b>PRODUCT LIFE</b>	Full Travel Cycles	3,000,000
<b>ELECTRONICS</b>	Seal Integrity EMI	Electronics IP67 sealed (IEC 60529) SAE J1113 Compliant
<b>ELECTRICAL</b>	Output Signal	Dual APS
<b>TRAVEL ANGLE</b>	Degrees	19° Angular Rotation
<b>MECHANICAL</b>	Operating Force (at 200mm from pivot point) Static Load Vibration	Idle= 17N, Full Travel = 35N 667N @ 200mm Random broadband up to 4g (3-axis, 3 hr. each axis.)
<b>ENVIRONMENTAL</b>	Operating Temp Range Storage Temp Range Humidity Sand/Dust	-40°C to 85°C -40°C to 105°C 95% RH for 120 hours, 27°C to 75°C Tested to SAE J1455
<b>MATERIALS</b>	Base plate Foot treadle Body castings	Corrosion Resistant Plated Steel Composite Plastic Composite Plastic

## MECHANICAL DIMENSIONS (mm)



## TYPICAL OUTPUT CHARACTERISTICS (Other outputs are available)



© 2014 Curtiss-Wright. All rights reserved. Specifications are subject to change without notice. All trademarks are property of their respective owners.

WM554-07/15

**CURTISS-  
WRIGHT**

**USA**  
Portland  
Oregon  
T: +1.509.684.8600  
F: +1.503.684.3879  
info@wmco.com  
www.cw-industrial.com

**Europe**  
Christchurch  
United Kingdom  
T: +44.1425.271444  
F: +44.1425.272655  
sales@pgdt.com  
www.cw-industrial.com

**Asia**  
Shanghai  
China  
T: +86.213.3310670  
sales@pennyandgiles.com.cn  
www.cw-industrial.com