

The WM-547 Rotary Hand Control is designed for a variety of off-road applications. It is infinitely variable between 0 and 90 degrees with applicable uses that include engine RPM, chassis module inputs and hydraulic pump control. The Rotary Hand Control is environmentally protected allowing it to be mounted inside or outside the cab.

The Rotary Hand Control unit is equipped with a Hall-effect, non-contact sensor that can be programmed for analog output and/or integrated switches. The electronics are IP67 sealed and highly EMI resistant (SAE J1113). In addition, the unit can be customized with contact or PWM sensors.

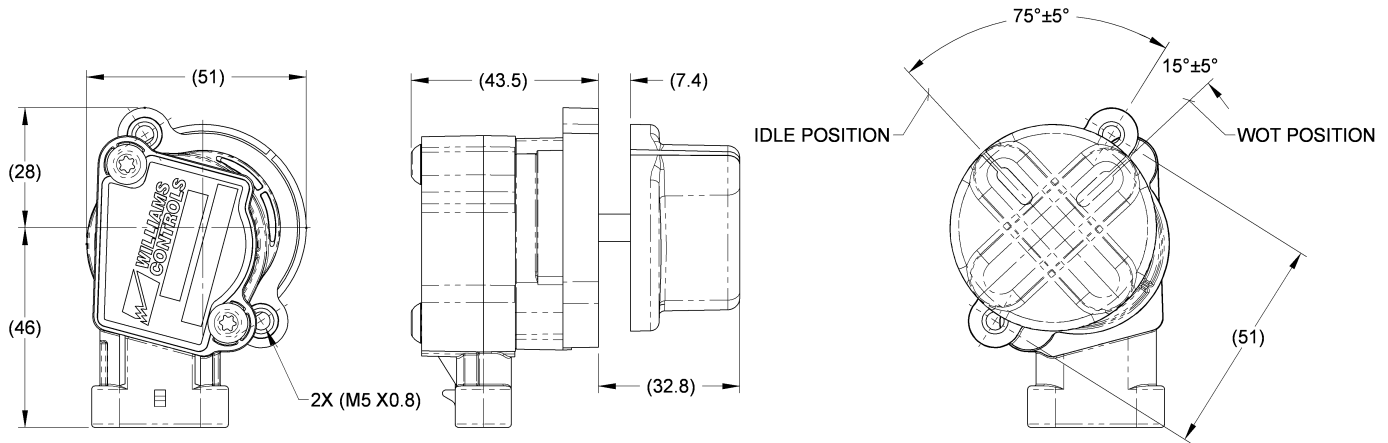
The unit is available with multiple shaft orientations and two sensor positions for added flexibility. It has a nylon 66 body with the thermoplastic elastomer over-molded knob for improved tactile feel. The color of the knob can be customized depending on the application.



## SPECIFICATIONS

<b>PRODUCT LIFE</b>	Full Travel Cycles	500,000
<b>ELECTRONICS</b>	Seal Integrity EMI	Electronics IP67 sealed (IEC 60529) SAE J1113 Compliant
<b>ELECTRICAL</b>	Operating Voltage Output Signal	5V and 12V-24V Dual APS, Dual PWM, APS, PWM, APS/IVS
<b>PEDAL ANGLE</b>	Degrees Operating Torque	90° 0.3 Nm
<b>MECHANICAL</b>	Max Torque Vibration	4.5 Nm 3 hour, 3-axis, random broadband up to 4g
<b>ENVIRONMENTAL</b>	Operating Temp Range Storage Temp Range Humidity Sand/Dust	-40°C to 85°C -40°C to 125°C 95% RH for 120 hours, 27°C to 75°C Tested to SAE J1455
<b>MATERIALS</b>	Main Body Knob Sensor Housing	Nylon 66 Thermoplastic Elastomer PBT Polyester

**MECHANICAL DIMENSIONS (mm)**



**TYPICAL OUTPUT CHARACTERISTICS (other outputs are available)**

