

# Williams Controls

## Electronic Suspended Pedal

### WM-540

The WM-540 electronic suspended pedal is firewall mounted and designed to provide an electrical signal to an engine control module in response to the operator's demand for engine power.

The WM-540 is equipped with a Hall-effect, non-contact sensor that can be programmed for analog output and/or integrated switches. The electronics are IP67 sealed and highly EMI resistant (SAE J1113). In addition, the unit can be customized with contact or PWM output sensors.

The robust design includes corrosion resistant cast aluminum housing and a coated steel mounting bracket. Brackets can be modified to meet different mounting requirements.

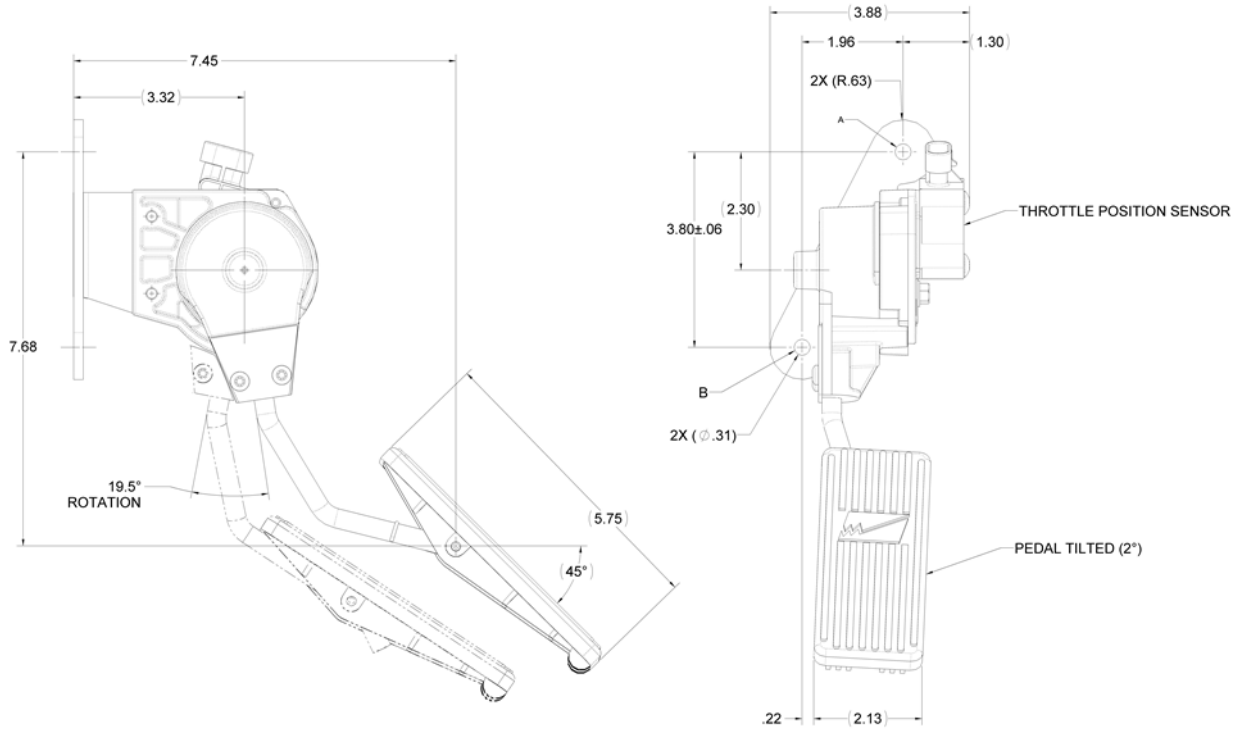
Standard bent steel lever rods can accommodate a variety of pedal placements, and a customized 3/16" steel plate lever is available for high static load requirements.



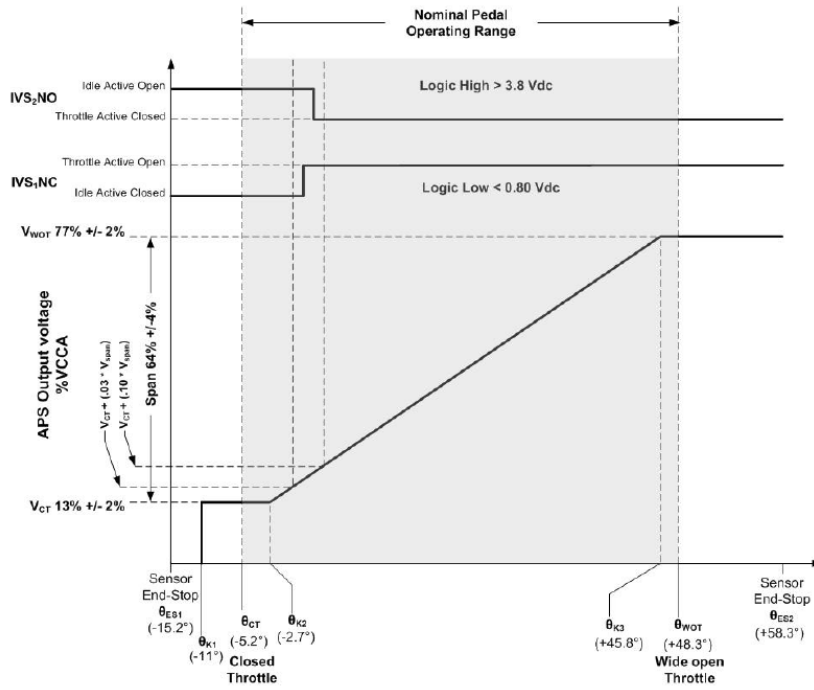
## SPECIFICATIONS

<b>PRODUCT LIFE</b>	Full Travel Cycles	5,000,000
<b>ELECTRONICS</b>	Seal Integrity EMI	Electronics IP67 sealed (IEC 60529) SAE J1113 Compliant
<b>ELECTRICAL</b>	Operating Voltage Output Signal	5V and 12V-24V Dual APS, Dual PWM, APS, PWM, APS/IVS
<b>PEDAL ANGLE</b>	Degrees Operating force	19.5° Angular Rotation Neutral = 55N, Full Travel = 75N
<b>MECHANICAL</b>	Static Load Vibration	1500N 3 hour, 3-axis, random broadband up to 4g
<b>ENVIRONMENTAL</b>	Operating Temp Range Storage Temp Range Humidity Sand/Dust	-40°C to 85°C -40°C to 85°C 95% RH for 120 hours, 27°C to 75°C Tested to SAE J1455
<b>MATERIALS</b>	Foot treadle & base plate Treadle cover Body castings	Corrosion Resistant Plated Steel NBR Rubber Die-cast Aluminum

## MECHANICAL DIMENSIONS (mm)



## TYPICAL OUTPUT CHARACTERISTICS (other outputs are available)



© 2014 Curtiss-Wright. All rights reserved. Specifications are subject to change without notice.  
All trademarks are property of their respective owners.

WM540-11/14

**CURTISS-  
WRIGHT**

**USA**  
Portland  
Oregon  
T: +1.509.684.8600  
F: +1.503.684.3879  
cwig.us@curtisswright.com  
www.cw-industrialgroup.com

**Europe**  
Christchurch  
United Kingdom  
T: +44.1425.271444  
F: +44.1425.272655  
cwig.uk@curtisswright.com  
www.cw-industrialgroup.com

**Asia**  
Shanghai  
China  
T: +86.213.3310670  
cwig.cn@curtisswright.com  
www.cw-industrialgroup.com