

Williams Controls Electronic Floor Pedal – Low Profile WM-528

The Electronic Floor Pedal WM-528 EFPA mounts flush with the floor and is designed specifically for applications that require a very low profile.

Structural components are comprised of glass reinforced nylon and corrosion resistant steel for use in rugged industrial applications. Additionally, the sensor is located under the mounting surface to shield it from in-cab contamination.

The unit is equipped with a Hall-effect, non-contact sensor that can be programmed for analog output and/or integrated switches. The electronics are IP67 sealed and highly EMI resistant (SAE J1113). If necessary, the unit can be customized with contact or PWM output sensors.

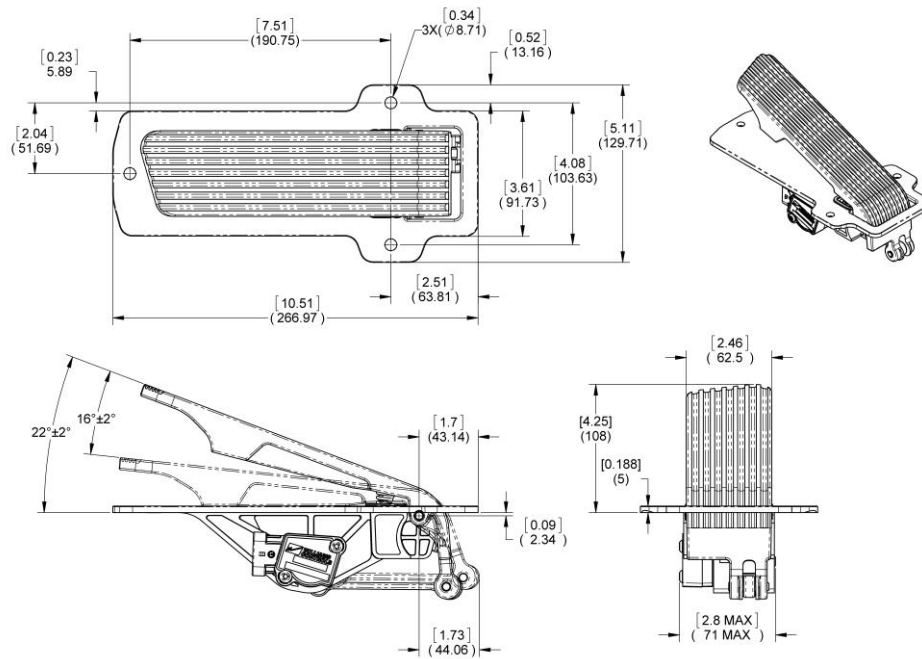
This pedal is ideal for the material handling industry, sweeper industry and other industrial applications where severe conditions exist and drive by wire pedal control is desirable.



SPECIFICATIONS

PRODUCT LIFE	Full Travel Cycles	3,000,000
ELECTRONICS	Seal Integrity EMI	Electronics IP67 sealed (IEC 60529) SAE J1113 Compliant
ELECTRICAL	Operating Voltage Output Signal	5V and 12V-24V Dual APS, Dual PWM, APS, PWM, APS/IVS
PEDAL ANGLE	Degrees	22°
MECHANICAL	Static Load Vibration	1500N 3 hour, 3-axis, random broadband up to 4g
ENVIRONMENTAL	Operating Temp Range Storage Temp Range Humidity Sand/Dust	-40°C to 85°C -40°C to 125°C 95% RH for 120 hours, 27°C to 75°C Tested to SAE J1455
MATERIALS	Main Body Mounting Plate	Composite Plastic Composite Plastic

MECHANICAL DIMENSIONS (mm)



TYPICAL OUTPUT CHARACTERISTICS (other outputs are available)

