

The Electronic Floor Pedal WM-526 is designed for all commercial vehicle applications and is highly customizable.

The Electronic Floor Pedal WM-526 is available in kick down and non-kick down versions.

The unit is equipped with a Hall-effect, non-contact sensor that can be programmed for analog output and/or integrated switches. The electronics are IP67 sealed and highly EMI resistant (SAE J1113). If necessary, the unit can also be customized with contact or PWM output sensors.

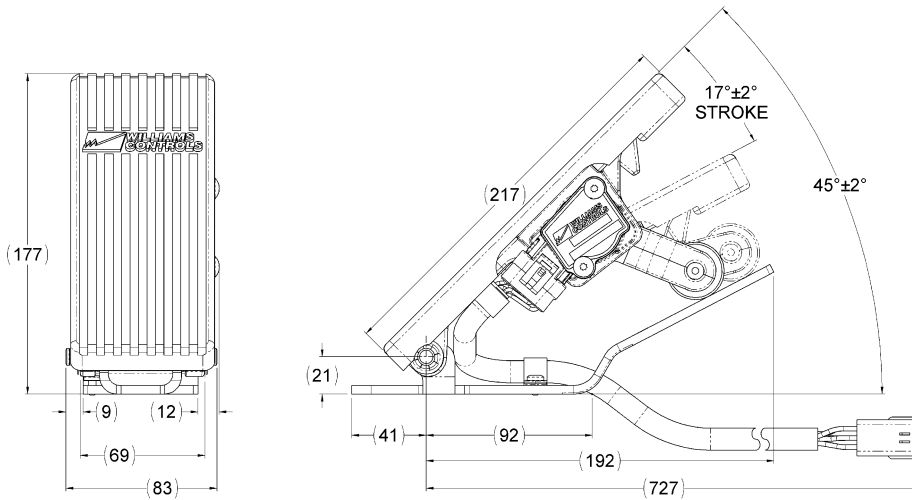
The Electronic Throttle Control provides a robust design with a corrosion resistant cast aluminum treadle and a coated steel base plate. The pedal is available in three treadle angles: 28.5, 35, and 45 degrees. The treadle is supplied with a rubber cover for improved foot traction.



SPECIFICATIONS

PRODUCT LIFE	Full Travel Cycles	10,000,000
ELECTRONICS	Seal Integrity EMI	Electronics IP67 sealed (IEC 60529) SAE J1113 Compliant
ELECTRICAL	Operating Voltage Output Signal	5V and 12V-24V Dual APS, Dual PWM, APS, PWM, APS/IVS
PEDAL ANGLE	Degrees	28.5°, 35°, 45°
MECHANICAL	Static Load Vibration	1500N 3 hour, 3-axis, random broadband up to 4g
ENVIRONMENTAL	Operating Temp Range Storage Temp Range Humidity Sand/Dust	-40°C to 85°C -40°C to 85°C 95% RH for 120 hours Tested to SAE J1455
MATERIALS	Main Body Mounting Plate Treadle cover	Cast Aluminum Coated Steel NBR Rubber

MECHANICAL DIMENSIONS (mm)



TYPICAL OUTPUT CHARACTERISTICS (other outputs are available)

